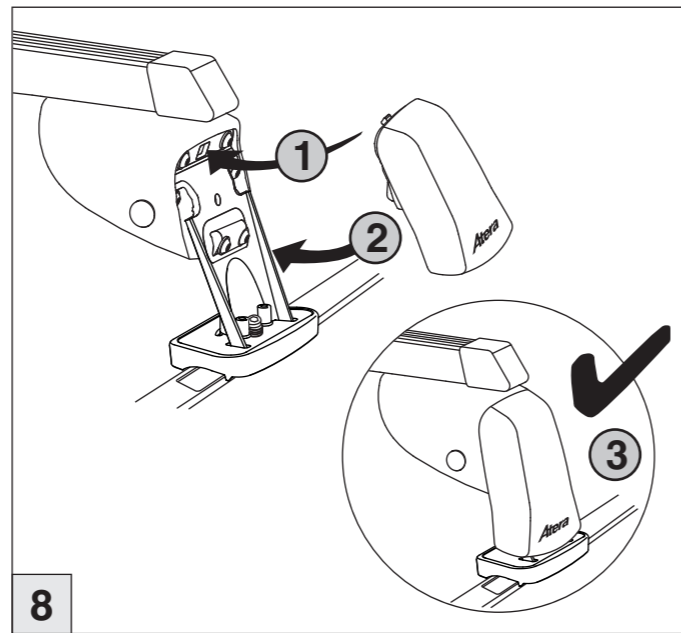
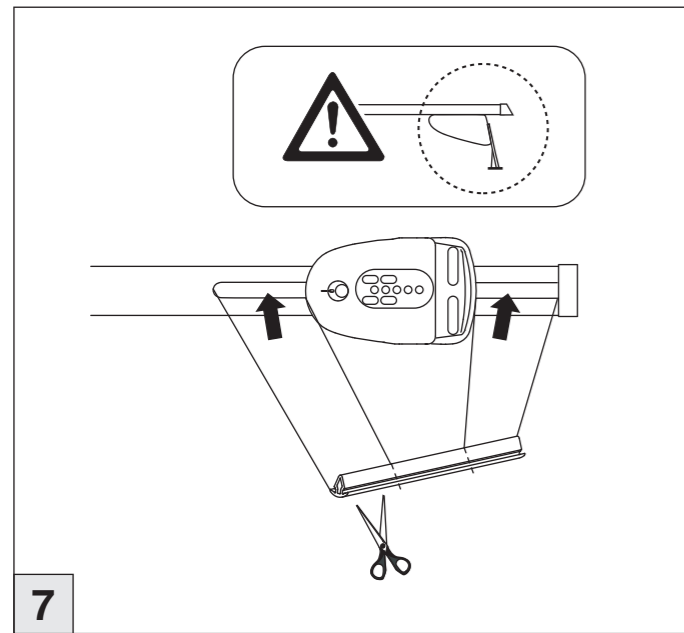


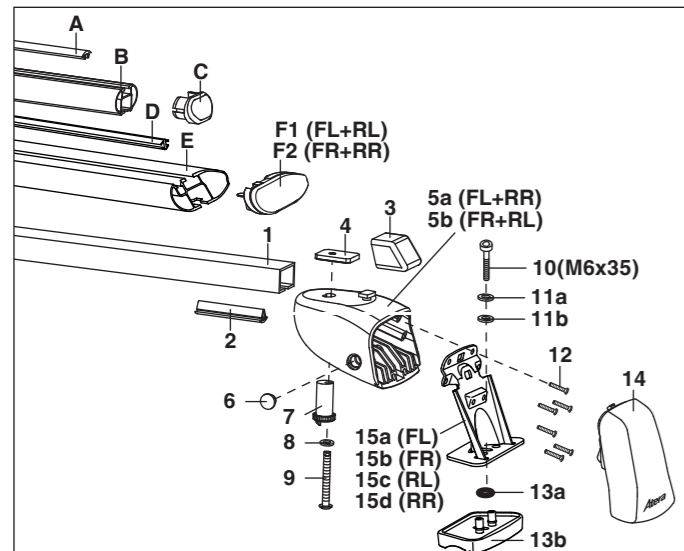
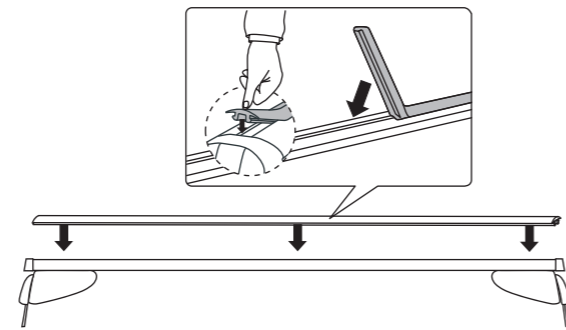
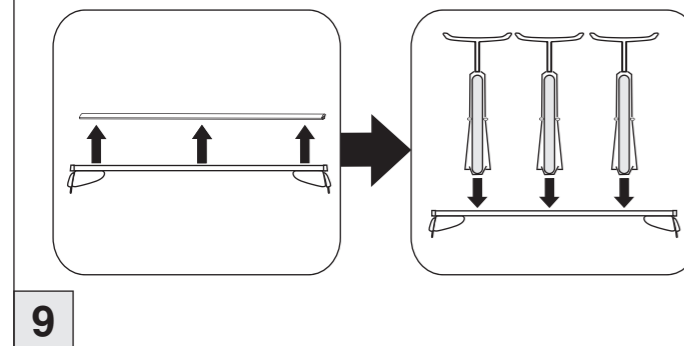
Atera SIGNO

Hyundai i 30 (5-türig/doors/portes) 08/2007–02/2017
Hyundai i 30 (3-türig/doors/portes) 01/2013–02/2017

Ford S-Max 05/2006–09/2015



nur bei / only for Part-No.: 045 169



nur bei Art.Nr.: 045 169
only for part no.: 045 169
A- 9919700065
B- 9945700112
C- 9918700253

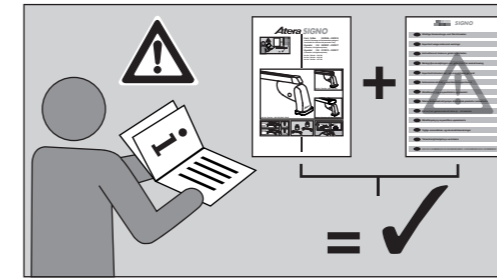
nur bei Art.Nr.: 047 169
only for part no.: 047 169
D- 9919700163
E- 9945700223
F1- 8828700062
F2- 8828700063

1- 9945700092
2- 9919700062
3- 9945700105
4- 9912700051
5a- 9918700526
5b- 9918700527
6- 9918700250
7- 9918700249
8- 9910700004
9- 9908700231
10- 9908700056
11a- 9910700035
11b- 9910700009
12- 9908700010
13a- 9922700204
13b- 9918700654
14- 9918700472
15a- 9949700525
15b- 9949700526
15c- 9949700526
15d- 9949700525



10

Atera SIGNO



Ford S-Max 05/2006 – 09/2015

(nicht für Fahrzeuge mit Panoramadach geeignet /
not suitable for vehicles with panoramic roof)

Hyundai i 30 08/2007 – 02/2017

(Limousine, 5-türig/doors/portes)

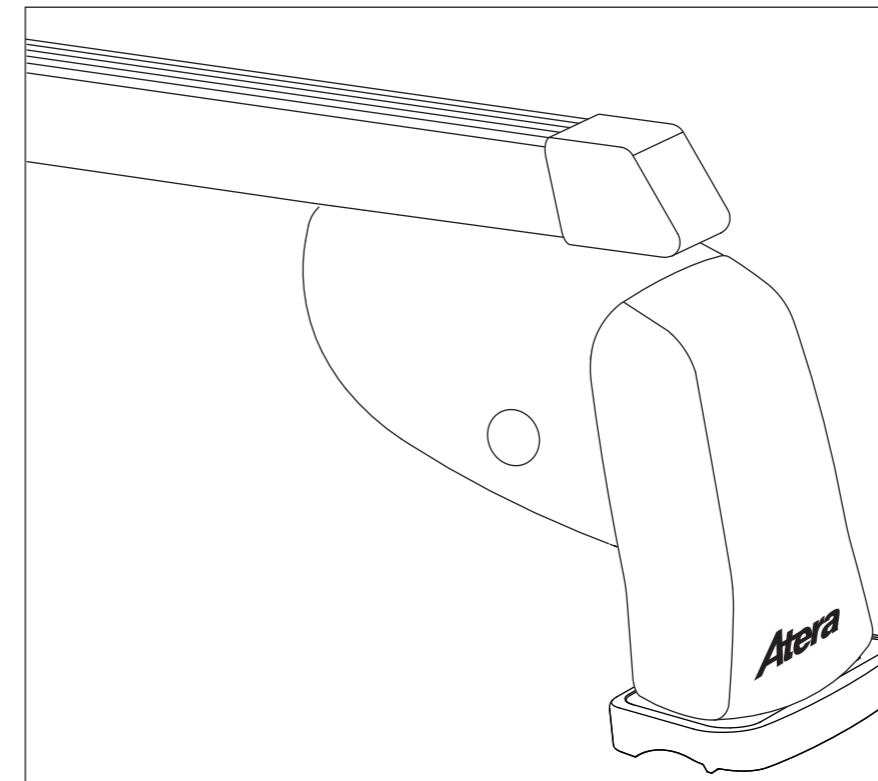
Hyundai i 30 01/2013 – 02/2017

(Limousine, 3-türig/doors/portes)

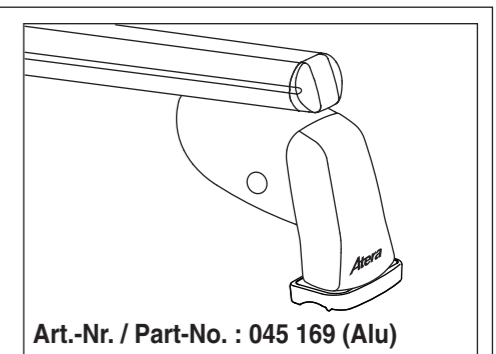
Art.-Nr. / Part-No. : 044 169

Art.-Nr. / Part-No. : 045 169

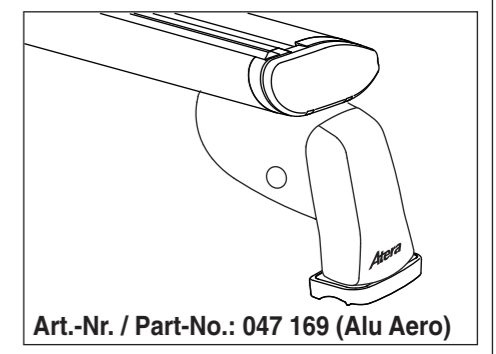
Art.-Nr. / Part-No. : 047 169



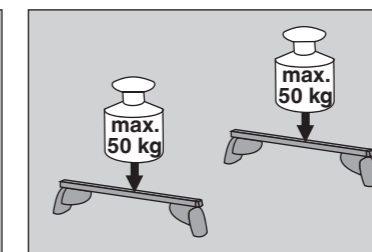
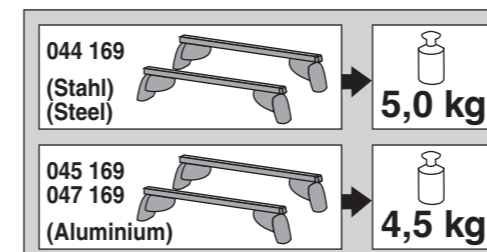
Art.-Nr. / Part-No. : 044 169 (Stahl / Steel)



Art.-Nr. / Part-No. : 045 169 (Alu)



Art.-Nr. / Part-No.: 047 169 (Alu Aero)



Atera
MADE IN GERMANY

Atera GmbH
Im Herrach 1
D-88299 Leutkirch
Internet: www.atera.de

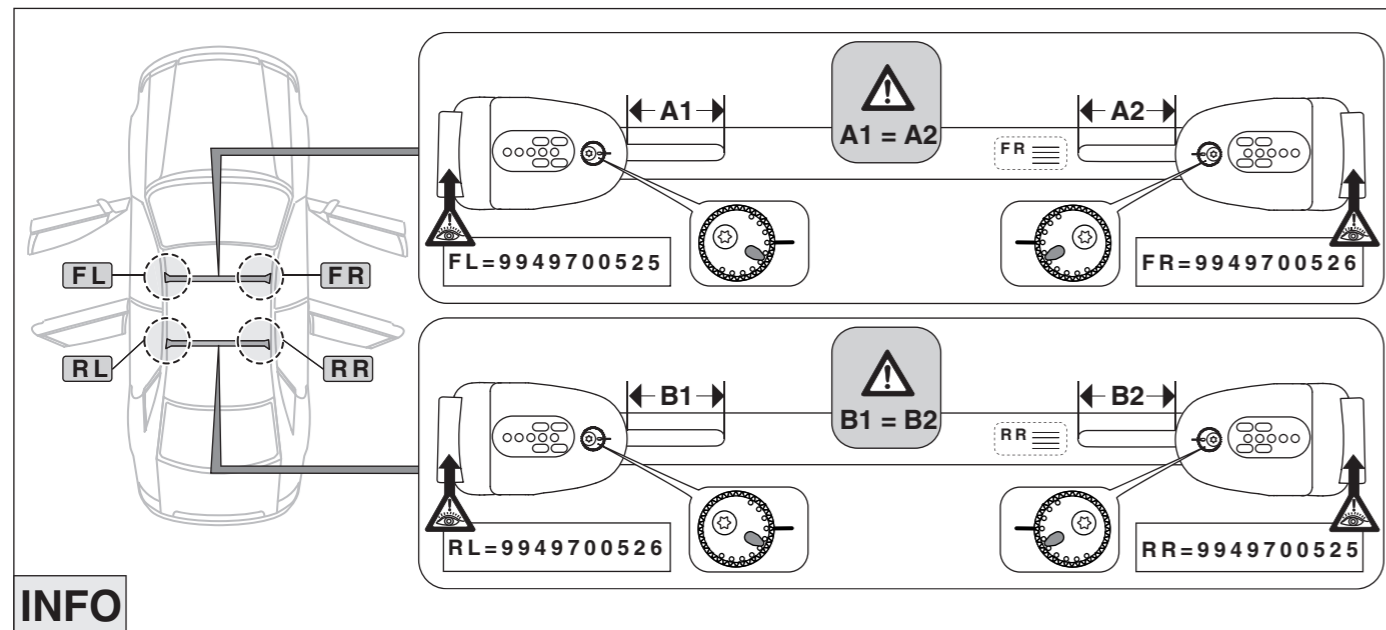
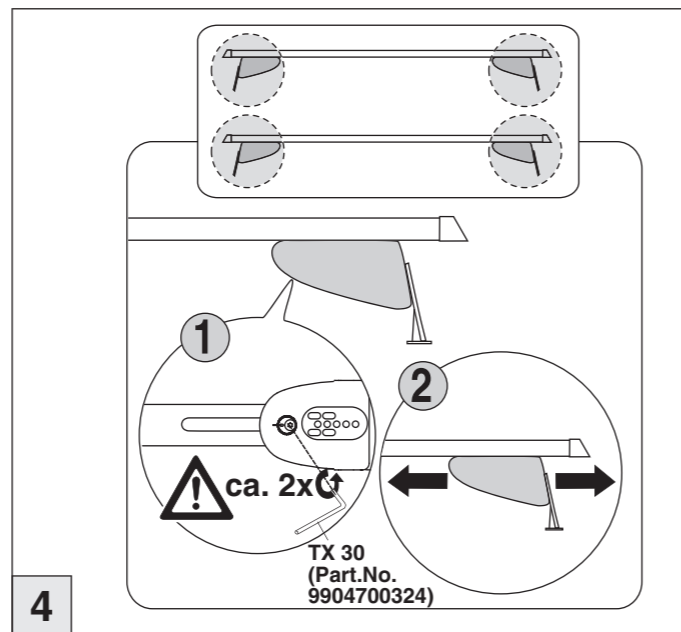
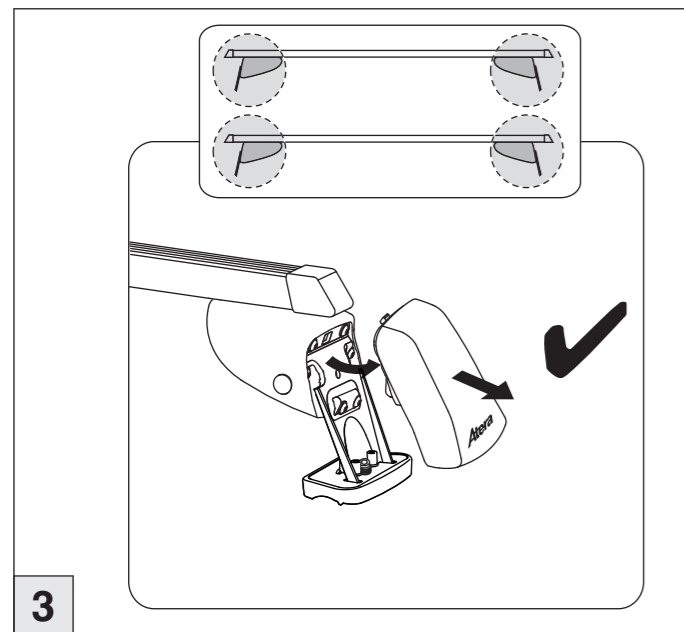
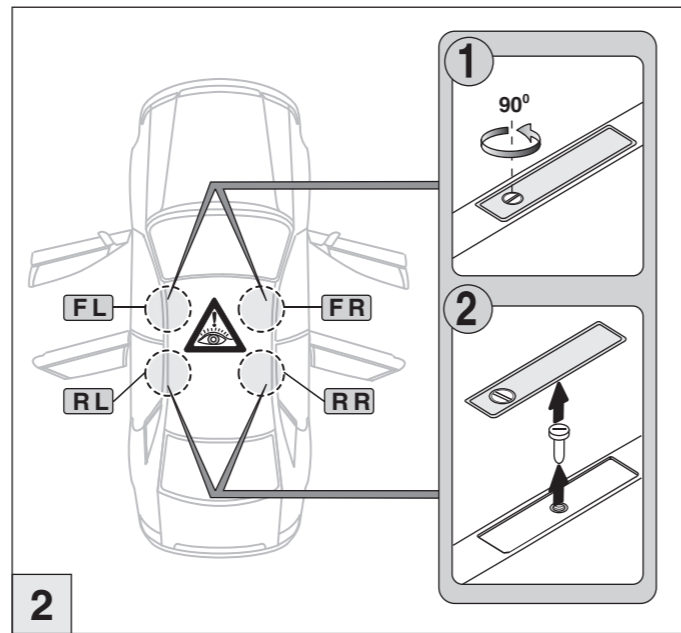
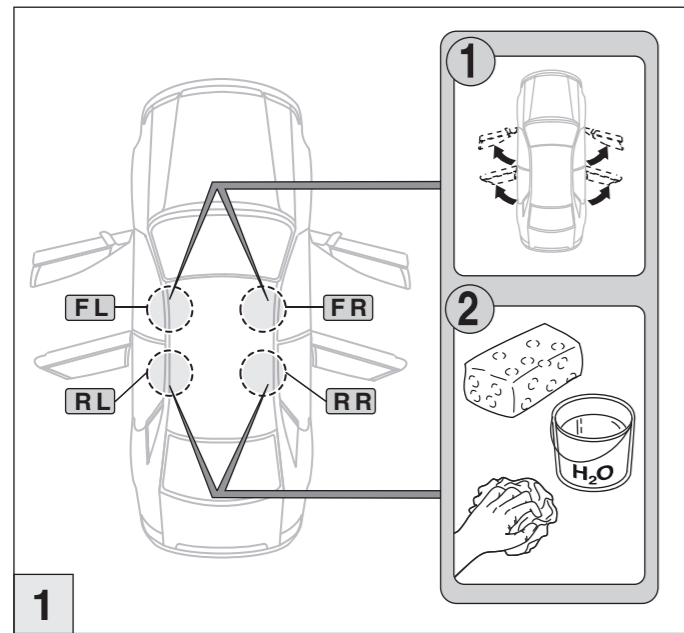


© ATERA GmbH
Ref.-Nr.: 044 169_096434416900_992570050200
Ref.-Nr.: 045 169_096434516900_992570050200
Ref.-Nr.: 047 169_096434716900_992570050200
Stand/State: 14/12/2017 – Rev 00 Ver 06

Atera SIGNO

Hyundai i 30 (5-türig/doors/portes) 08/2007–02/2017
Hyundai i 30 (3-türig/doors/portes) 01/2013–02/2017

Ford S-Max 05/2006–09/2015



Atera SIGNO

Hyundai i 30 (5-türig/doors/portes) 08/2007–02/2017
Hyundai i 30 (3-türig/doors/portes) 01/2013–02/2017

Ford S-Max 05/2006–09/2015

